

ODIWOOL BLACK PAPER

Thermal insulating paper

Product description

ODIWOOL BLACK PAPER is a very flexible product, manufactured from soluble amorphous man made mineral fiber with minimum addition of organic binder.

This high temperature vitreous wool has high solubility in simulated body fluids and carries no hazard classification..

Features

ODIWOOL BLACK PAPER holds the following properties:

- Light-weight and flexible,
- Very low shot content (residues left by fibrilisation),
- Smooth on both sides, therefore of even thickness,
- Good mechanical strength and resistant to tearing,
- Stability at continuous temperatures up to 1000°C,
- Ease of handling (cutting, bending, stamping etc.),
- Good thermal insulation properties and low thermal conductivity,
- Readily adheres using non-combustible PYROCOL glue or double-sided adhesive tape,
- Non-irritant to touch,
- Asbestos free,
- Does not contain ceramic fibre.



Technical data

Physical properties ODIWOOL BLACK PAPER

Classification temperature	1200°C
Linear Shrinkage (at 1100°C for 24 hour)	< 4%
Loss after ignition	< 12 %
Density (average)	180 - 240 kg/m ³
Tensile strength (EN 1094-1)	> 350 kPa
Fusion temperature	>1330°C

Combustibility

ODIWOOL BLACK PAPER is non-combustible

Average chemical analysis (%)

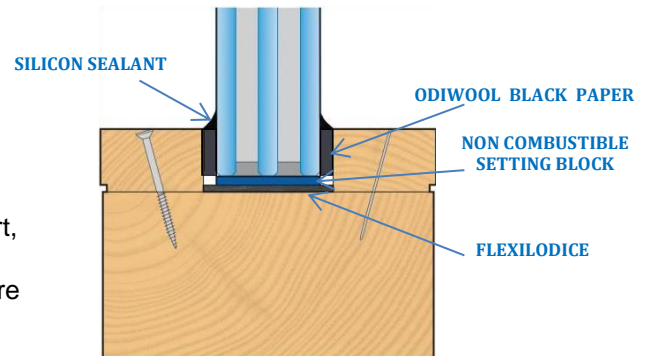
Al ₂ O ₃	< 1
SiO ₂	61 - 67
CaO -	27 - 33
MgO	2.5 – 6.5
Fe ₂ O ₃	< 0.6

Thermal conductivity- (W/m.K) (EN 1094-1)

200 °C	0,06
400 °C	0,10
600 °C	0,15
800 °C	0,22

Applications

- Seals and protection in fire resistant equipment (doors, dampers etc.).
- Protection of lock casings, door closers, panic bars etc.
- Insulation and seals in domestic and heating appliances.
- Thermal and acoustic shields (lift doors, transport, marine etc.).
- Non-combustible backing material for seals on fire resistant glazing elements.



Product range

Thickness (mm)	Roll length (m)	Roll width
1	40	From 15 mm to 1000 mm (cutting tolerance: ± 0,5 mm)
2	20	
3	15	
4	10	
5	10	
6	10	

Adhesive version (ref. SA): ODIWOOL BLACK PAPER can be surfaced with a double-sided adhesive strip to facilitate installation, or it can be surfaced with aluminium or mica.

Other variants on request.

Other lengths and widths on request.

Packaging

ODIWOOL BLACK PAPER is delivered in rolls wrapped in cardboard.

Storage

Store in a dry, well-ventilated location.

Health and safety measures

Observe usual workplace health and safety rules.

Refer to the safety data sheet

IMPORTANT: while the descriptions, designs, data and information contained herein are presented in good faith and believed to be accurate, it is provided for your guidance only. Because many factors may affect processing or application/use, we recommend that you make tests to determine the suitability of a product for your particular purpose prior to use. No warranties of any kind, either express or implied, including warranties of merchantability or fitness for a particular purpose, are made regarding products described or designs, data or information set forth, or that the products, designs, data or information may be used without infringing the intellectual property rights of others. In no case shall the descriptions, information, data or designs provided be considered a part of our terms and conditions of sale. Further, you expressly understand and agree that the descriptions, designs, data and information furnished by ODICE hereunder are given free of charge and ODICE assumes no obligation or liability for the description, designs, data and information given or results obtained, all such being given and accepted at your risk



ODICE S.A.S. Passive Fire Protection

ZAE Les Dix Muids Rue Lavoisier F-59770 Marly, France

Tél : + 33.3.27.19.32.32.

Fax : + 33.3.27.21.06.26.

E-mail : info@odice.com

Internet : www.odice.com