

**Intumescent flexible**  
fire resistant glazing gasket

GB / 1.01 / Rev. 3

# FLEXILODICE BS



**odice**  
PASSIVE FIRE PROTECTION



## Product description

The **FLEXILODICE BS** is a flexible intumescent seal mainly used in fire resistant glazing. It is made of coextruded intercalated graphite combined with a thermoplastic lip. It enables a unique combination of properties: fire resistance, aesthetic and easy to install.

The intumescent component expands at least 9 times its initial thickness.

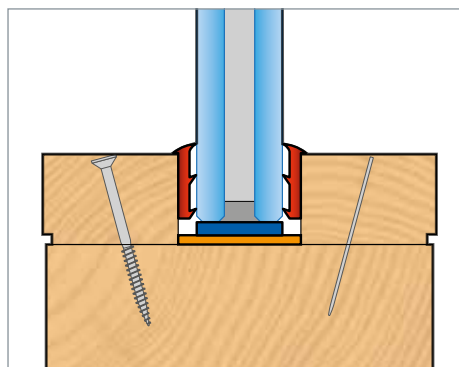
The micro porous layer generated by this expansion avoids flame, smoke and other hot gases to leak around the glazing.



## Features

The **FLEXILODICE BS** presents the following characteristics:

- Easy to install.
- Time saving for implementation (no need for sealant).
- Good resistance to humidity and ageing.
- Forms a robust micro porous layer.
- Delivered in rolls.
- Easy to cut.



## Technical data

### Physical properties

Expansion activation temperature	180°C
Foaming height (30 min. at 550°C)	9-13 times initial thickness
Expansion pressure (at 300°C)	0,38 - 0,65 N/mm <sup>2</sup>

Values measured on FLEXILODICE by the laboratory DIBT ( Germany) and reported in European Technical Assessment ETA -16/0299.

## Applications

Backer for glazing sealing, fire resistant from EI30 to EI60.



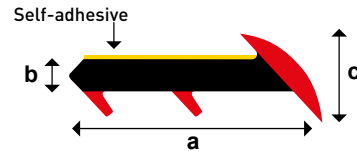
## Product range

## Colours

FLEXILODICE BS is available in black, white, brown or oak.



Reference ( a x b / c )	Roll length
13 x 2 / 6 mm	100 m
15 x 1,9 / 7 mm	100 m
15 x 1,9 / 5,5 mm	100 m



Self-adhesive version (ref. SA): **FLEXILODICE BS** can be surfaced with a self-adhesive strip to facilitate installation (please specify ref. SA).

## Packaging

FLEXILODICE BS is delivered in rolls wrapped in cardboard boxes.

## Storage

Store in a dry well-ventilated area.

## Health and safety measures

Observe usual workplace health and safety rules.  
Refer to the safety data sheet of **FLEXILODICE**.



IMPORTANT: while the descriptions, designs, data and information contained herein are presented in good faith and believed to be accurate, it is provided for your guidance only. Because many factors may affect processing or application/use, we recommend that you make tests to determine the suitability of a product for your particular purpose prior to use. No warranties of any kind, either express or implied, including warranties of merchantability or fitness for a particular purpose, are made regarding products described or designs, data or information set forth, or that the products, designs, data or information may be used without infringing the intellectual property rights of others. In no case shall the descriptions, information, data or designs provided be considered a part of our terms and conditions of sale. Further, you expressly understand and agree that the descriptions, designs, data and information furnished by ODICE hereunder are given free of charge and ODICE assumes no obligation or liability for the description, designs, data and information given or results obtained, all such being given and accepted at your risk.



**ODICE S.A.S.** Passive Fire Protection  
Z.A.E Les Dix Muids - Rue Lavoisier - 97770 Marly - France  
Tél. +33(0)3 27 19 32 32 - Fax : +33(0)3 27 21 06 26  
Email : [info@odice.com](mailto:info@odice.com) - [www.odice.com](http://www.odice.com)